

Infrared Sensor Access Control Exit Push Button

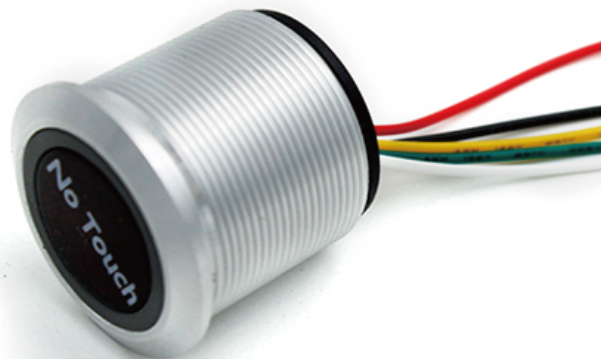
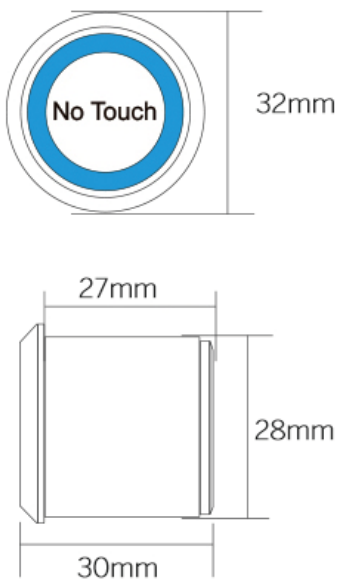


NS11570

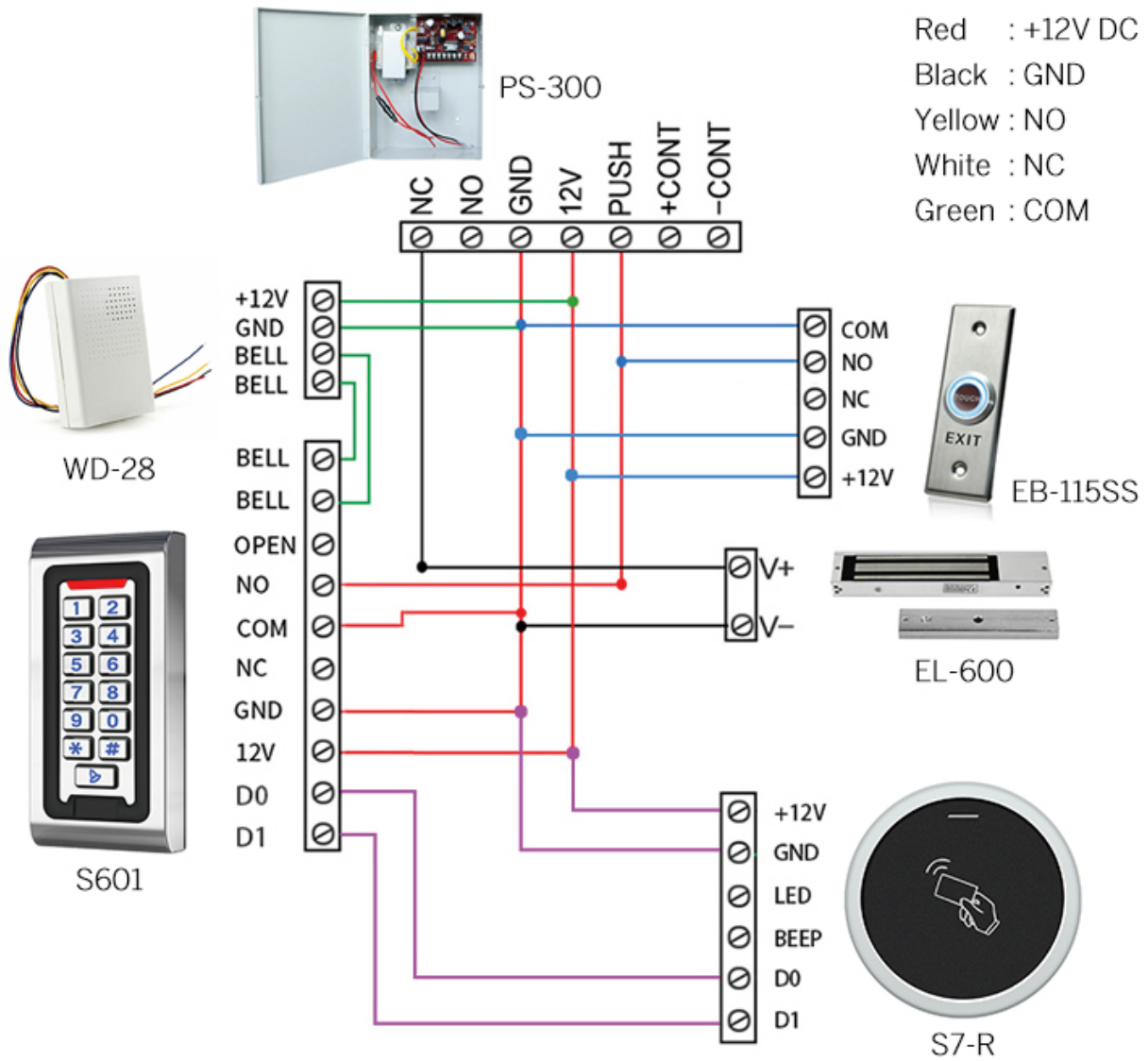
Specifications

Material:	Metal
Voltage:	DC12V
Current:	10mA
Sensor distance:	5-10CM
Current Rating:	3A,36VDC Max
Output:	NO, NC, COM
Dimension:	115 x 70mm
Weight:	0.14kg

Dimensions(mm)



wiring Diagram



S4A Industrial Co., Limited

Address: The 2nd floor, Jinmin'an Industrial Zone, #529, Bulong Rd.
 Bantian St. Longgang Dist. Shenzhen, PRC.. CN 518131



Tel: +86 755 29450011

www.s4a-access.com